

TURBO WAVE

Instruction Manual



**Electric Oven
TT-EV9**

220-240V~ 800W

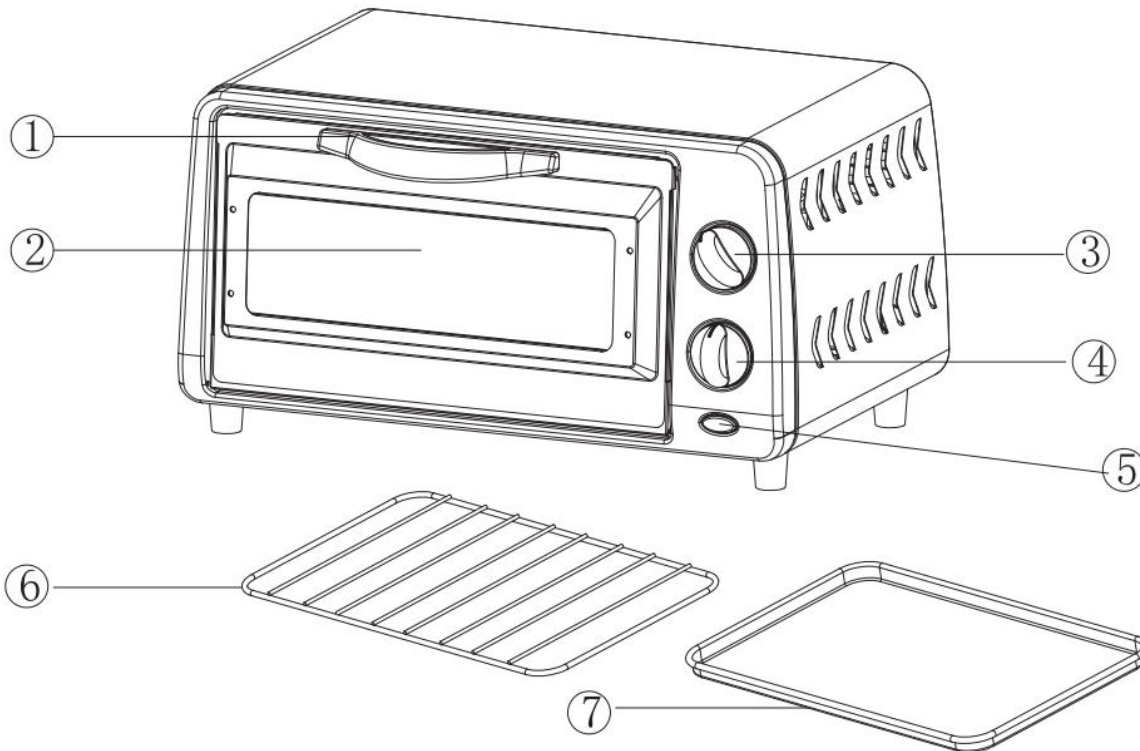
Read all sections of this booklet and follow all instructions carefully

IMPORTANT SAFETY INSTRUCTIONS

When using your *Electric Oven*, basic safety precautions should always be observed:

1. **Read all instructions.**
2. **Do not** touch hot surfaces. Always use handles or knobs.
3. Close supervision is necessary when any appliance is used by or near children.
4. To protect against electric shock, do not immerse cord, plug or any parts of the oven in water or any other liquids.
5. **Do not** let cord hang over edge of table or counter, or touch hot surfaces.
6. **Do not** operate appliance with damaged cord or plug or after the appliance malfunctions or has been damaged in any manner. Return appliance to the nearest authorized service facility for examination, repair or adjustment.
7. The use of accessory attachments not recommended by the appliance manufacturer may cause hazard or injury.
8. **Do not** place on or near a hot gas or electric burner.
9. When operating the oven, keep at least four inches of free space on all sides of the oven to allow for adequate air circulation.
10. Unplug from outlet when not in use and before cleaning. Allow to cool before putting on or taking off parts, and before cleaning.
11. To disconnect, turn the time control to OFF, then remove the plug. Always hold the plug, and never pull the cord.
12. Extreme caution must be used when moving a drip pan containing hot oil or other hot liquids.
13. **Do not** cover crumb tray or any part of the oven with metal foil. This may cause the oven to overheat.
14. Use extreme caution when removing the tray, racks or disposing of hot grease or other hot liquids.
15. **Do not** clean the inside of the oven with metal scouring pads, pieces can break off the pad and touch electrical parts, creating a risk of electric shock.
16. Oversized foods or metal utensils must not be inserted in a toaster oven as they may create a fire or risk of electric risk.
17. A fire may occur if the oven is covered or touching flammable material, including the curtains, draperies, walls, and the like, when in operation. Do not store any item on top of the appliance when in operation.
18. Extreme cautions should be exercised when using cooking or baking containers constructed of anything other than metal or ovenproof glass.
19. Be sure that nothing touches the top or bottom elements of the oven.
20. **Do not** place any of the following materials in the oven: cardboard, plastic, paper, or anything similar.
21. **Do not** store any materials other than manufacturer's recommended accessories in this oven when not in use.
22. Always wear protective, insulated oven gloves when inserting or removing items from the hot oven.
23. This appliance has a tempered, safety glass door. The glass is stronger than ordinary glass and more resistant to breakage. Tempered glass can still break around edges. Avoid scratching door surface or nicking edges.
24. This appliance is OFF when the Timer Control button is in the "OFF" position.
25. **Do not** use outdoors. Do not immerse the oven into water.
26. **Do not** use appliance for other than intended use.

OVEN COMPONENTS OF THE OVEN AND ACCESSORIES



1. Handle
2. Glass door
3. Thermostat knob: to adjust temperature from 100°C to 230 °C
4. Timer knob: cooking time up to 30 minutes. When timer is on, both heaters work at the same time.
5. Power indicator light: it lights when timer is on
6. Wire rack
7. Bake tray

Before using your oven

1. Read all instruction included in this manual.
2. Make sure the oven is unplugged and the **Timer** is in the “OFF” position.
3. Wash all accessories in hot, soapy water.
4. Thoroughly dry all accessories and re-assemble them in the oven. Plug the oven into outlet.
5. After re-assembling your oven, run it at 230°C for approximately 15 minutes to eliminate any packing residue what may remain after shipping. This will also remove all traces of odor initially present.
6. When the timer is on, both upper and lower heaters work at the same time.
7. Please note both heaters will turn off when the oven temperature reaches the one you set, and they will be on again when the oven temperature is low.
8. Bottom of this oven can be opened for cleaning.

Please Note: Initial start-up operation may result in smell and smoke (about 15 minutes). This is normal and harmless. It is due to burning of the protective substance applied to the heating elements.

Care & Cleaning

Warning: Be sure to unplug the oven and cool it before cleaning.

If desired, wipe the walls with a damp sponge, cloth or nylon scouring pad and mild detergent. **DO NOT USE STEEL WOOL SCOURING PADS, ABRASIVE CLEANERS OR SCRAPE THE WALLS WITH A METAL UTENSIL, AS ALL OF THESE METHODS MAY DAMAGE THE CABINET.**

All accessories should be washed in hot soapy water or can be cleaned in a dishwasher. Then keep them dry. The door can be wiped with a damp sponge and wiped dry with a paper or cloth towel. Clean the outside with a damp sponge. **DO NOT USE AN ABRASIVE CLEANER AS IT MAY DAMAGE THE EXTERIOR FINISH. DO NOT IMMERSE THE OVEN INTO WATER.**